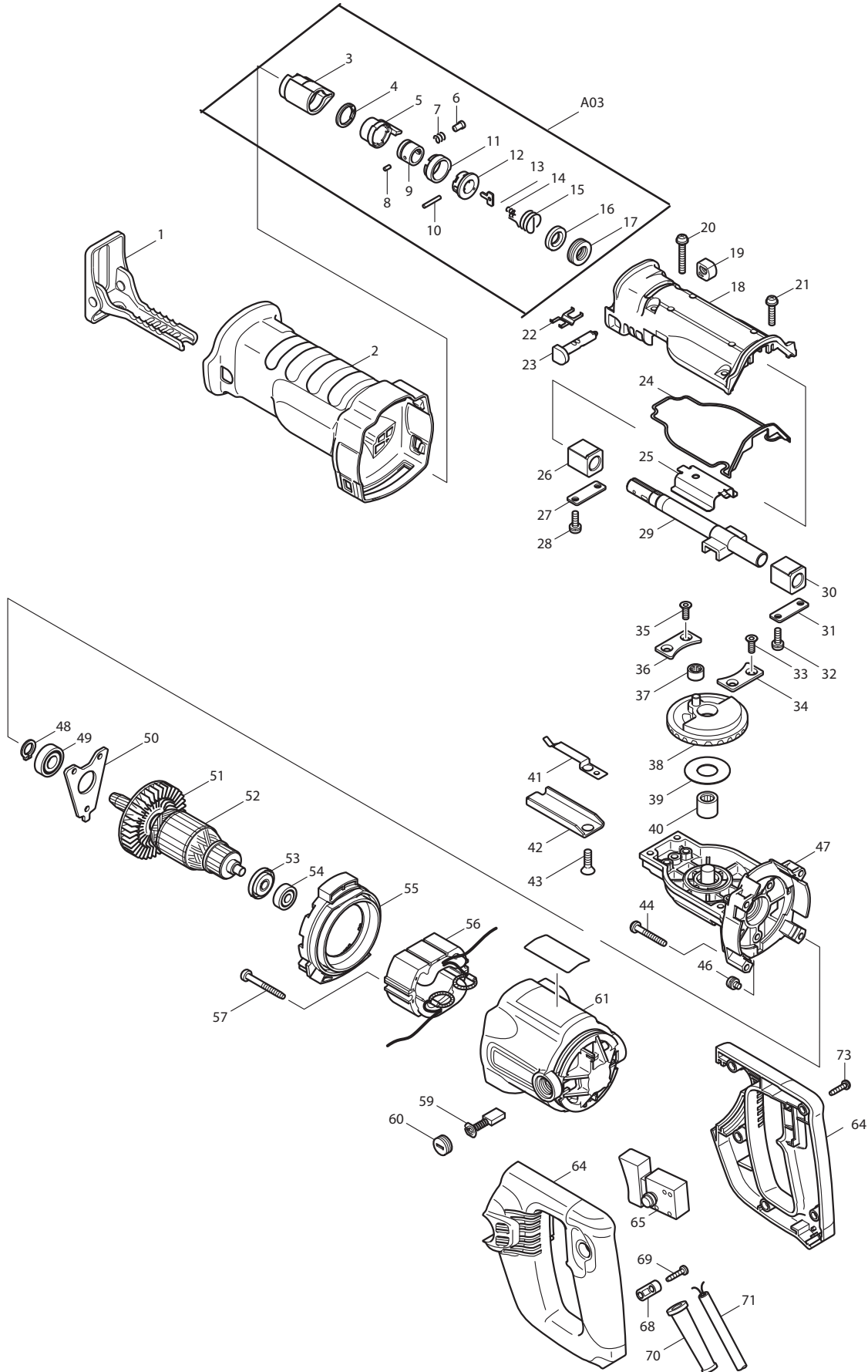




08 - 2010  
JR3050T, JR3050TX, JR3050TY  
1-1/8" RECIPRO SAW, TOOLLESS



Item No	Type	Ref	Part No	Description (*see Service Change)	Qty	Unit
1			163451-9	SHOE	1	PC.
2			421892-8	INSULATION COVER	1	PC.
3			424147-0	* PROTECTOR (TYPE 2)	1	PC.
4	1		961078-7	* RETAINING RING (EXT) S-18	1	PC.
	2		257952-8	* RETAINING RING (EXT) 18	1	PC.
5			310285-3	* DRIVING SLEEVE (TYPE2)	1	PC.
6			256492-3	SHOULDER PIN 5 (OLD# 256471-1 - N/L/A)	1	PC.
7			233345-3	COMPRESSION SPRING 6	1	PC.
8			268094-3	PIN 3	1	PC.
9	1		331639-1	* GUIDE SLEEVE	1	PC.
	2		331720-8	* GUIDE SLEEVE	1	PC.
10			256158-5	PIN 3	1	PC.
11			417791-0	DRIVING SLEEVE GUIDE	1	PC.
12			418311-3	SLEEVE	1	PC.
13			345214-7	PUSH PLATE	1	PC.
14			233025-1	COMPRESSION SPRING 2	1	PC.
15			231687-9	TORSION SPRING 17 (OLD# 231662-5 - N/L/A)	1	PC.
16			213151-2	OIL SEAL 14	1	PC.
17			213174-0	X RING 14	1	PC.
18			154499-2	GEAR HOUSING COVER COMPLETE	1	PC.
		INC.		Item No. 16,17	1	PC.
18	Opt.		125523-8	GEAR HOUSING COVER ASSY - Optional	1	PC.
		INC.		Item No. 3 - 15, 18 & 19, 22 & 23 & 25 - 32	1	PC.
19			418806-6	CAP	1	PC.
20			911258-5	PAN HEAD SCREW M5X35	2	PC.
21			911243-8	PAN HEAD SCREW M5X25	2	PC.
22			232221-8	LEAF SPRING A	1	PC.
23			162236-0	SHIFT BUTTON	1	PC.
24			421893-6	SEAL RING	1	PC.
25			345480-6	SLIDE PLATE	1	PC.
26			214169-6	PLANE BEARING 14	1	PC.
27			341462-6	PLATE	1	PC.
28			911225-0	PAN HEAD SCREW M5X16	2	PC.
29			154788-5	SLIDER COMPLETE (OLD# 168405-1 - N/L/A)	1	PC.
30			214169-6	PLANE BEARING 14	1	PC.
31			341462-6	PLATE	1	PC.
32			911225-0	PAN HEAD SCREW M5X16	2	PC.
33			265148-7	TORX SOCKET HEAD SCREW M5X14	2	PC.
34			345478-3	GEAR PLATE	1	PC.
35			265148-7	TORX SOCKET HEAD SCREW M5X14	2	PC.
36			345478-3	GEAR PLATE	1	PC.
37	1		212001-8	NEEDLE BEARING 708	1	PC.
	2		212959-1	NEEDLE BEARING 708	1	PC.
38			125283-2	GEAR ASS'Y	1	PC.
38		INC.	154476-4	GEAR COMPLETE	1	PC.
38		INC.		Item No. 40	1	PC.
39			267290-0	FLAT WASHER 18	1	PC.
40			212115-3	NEEDLE BEARING 1216	1	PC.
41			232222-6	LEAF SPRING B	1	PC.
42			345479-1	SHOE GUIDE	1	PC.
43	1		265149-5	+ COUNTERSUNK HEAD SCREW M6X16	1	PC.
	2		265165-7	TORX SOCKET C.S. HEAD SCREW M6X16	1	PC.

Item No	Type	Ref	Part No	Description (*see Service Change)	Qty	Unit
44	1		266012-5	TAPPING SCREW 5X35	4	PC.
	2		266373-3	TAPPING SCREW 5X35	4	PC.
46	1		911606-8	PAN HEAD SCREW M5X10	3	PC.
	2		265530-0	HEX.SOCKET HEAD BOLT M5X8	3	PC.
47			154497-6	GEAR HOUSING COMPLETE	1	PC.
48			961052-5	RETAINING RING S-12	1	PC.
49			210102-6	BALL BEARING 6001DDW	1	PC.
50			285718-6	BEARING RETAINER	1	PC.
51			241863-7	FAN 70	1	PC.
52			513596-7	ARMATURE ASS'Y 115V	1	PC.
		INC.		Item No. 51,53,54	1	PC.
53			681644-1	INSULATION WASHER	1	PC.
54			210029-0	BALL BEARING 608ZZ	1	PC.
55			418805-8	BAFFLE PLATE	1	PC.
56			525711-1	FIELD ASS'Y 115V	1	PC.
		INC.	654020-2	RING TERMINAL	2	PC.
		INC.	654501-6	CONNECTOR P-1.25	2	PC.
57	3		266056-5	TAPPING SCREW 5X45	2	PC.
59	1		191963-2	CARBON BRUSH CB-303 2PC/SET (W/O ORIGIN)	1	SET
	2		194996-6	CARBON BRUSH CB-303 2PC/SET (W/ORIGIN)	1	SET
60			643750-0	BRUSH HOLDER CAP	2	PC.
61			154498-4	MOTOR HOUSING COMPLETE	1	PC.
		INC.	643708-9	BRUSH HOLDER 5-11	2	PC.
64			183920-4	HANDLE SET	1	SET
65			650543-8	SWITCH TG843TB-1	1	PC.
68			687063-9	STRAIN RELIEF	1	PC.
69			265995-6	TAPPING SCREW 4X18	2	PC.
70			682572-3	CORD GUARD 8	1	PC.
71			664891-9	CORD W/PLUG 2P-18-2.5M, SJ	1	PC.
73			265995-6	TAPPING SCREW 4X18	5	PC.

#### **ACCESSORIES**

**- See catalogue or visit [www.makita.ca](http://www.makita.ca) for more optional accessories -**

A01			824734-9	PLASTIC CARRYING CASE	1	PC.
		INC.	417724-5	LATCH	2	PC.
A02	1		193572-3	RECIPRO SAW BLADE 3PC/SET	1	SET
	2		194068-7	RECIPRO SAW BLADE 2PC/SET	1	SET
A03			310285-3X1	BLADE CLAMP KIT (See Partsbreakdown 310285-3X1)	1	PC.

#### **SERVICE CHANGES:**

##### **1. CHANGES ON PROTECTOR & DRIVING SLEEVE**

Item No.	Description	TYPE 1	TYPE 2
3	PROTECTOR	421894-4 (N/L/A)	424147-0
5	DRIVING SLEEVE	310160-3	310285-3

Above parts are interchangeable as a set.

(T/I# 81159)

##### **2. CHANGES ON RETAINING RING & GUIDE SLEEVE**

Item No.	Description	TYPE 1	TYPE 2
4	RETAINING RING	961078-7 (S-18)	257952-8 (S)
9	GUIDE SLEEVE	331639-1	331720-8

Above parts are interchangeable as a set.

(T/I# 75599)